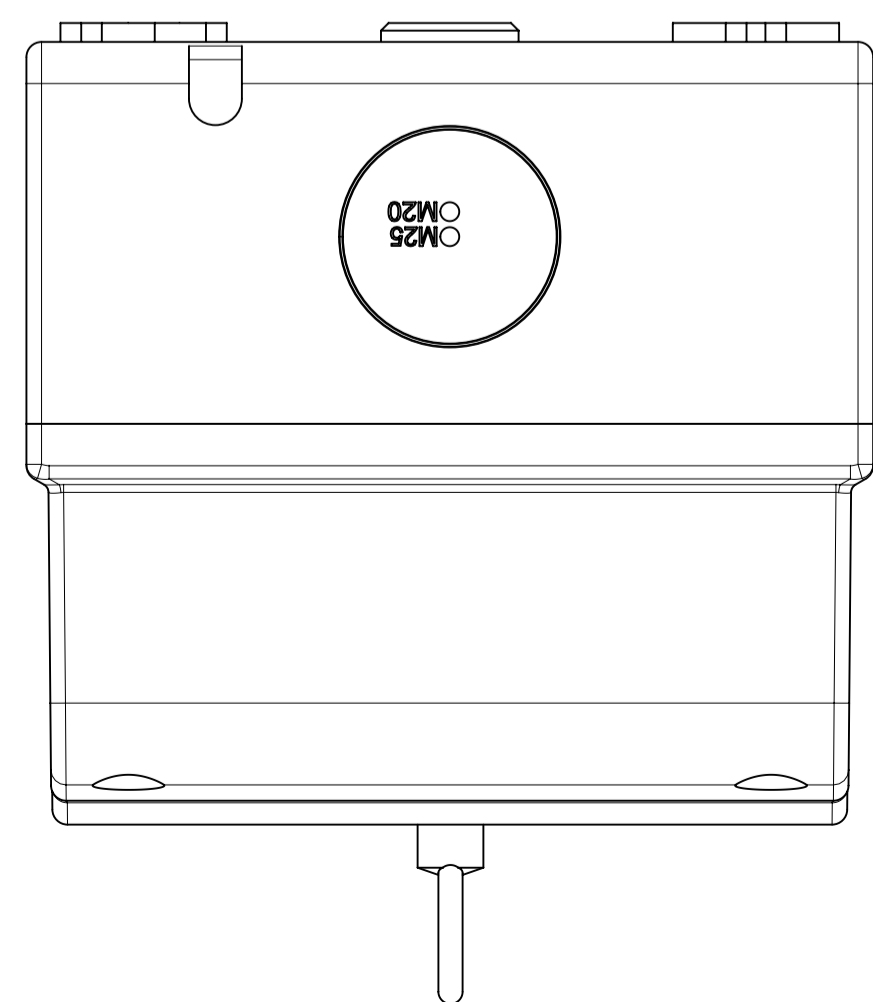


Sezione A-A



At the end of the law, we reserve the ownership of this design may not be copied and transfer it to third parties or competitors SCAME S.p.A. PARRE - (Bergamo)	Format	A1	Scale	1:1	Mould N°	1000XXXX	Drawn	SCAME	
	Tolerances for linear and angular dimensions without indication of specific tolerances: JS13 / UNI 286-1:2010							Date	gg-mm-aaaa
DESCRIPTION							Approved	Sheet 1 / 1	
CENTRALINO DOMINO IP66 4 MODULI CON SFONDABILI							CODE	4004171	